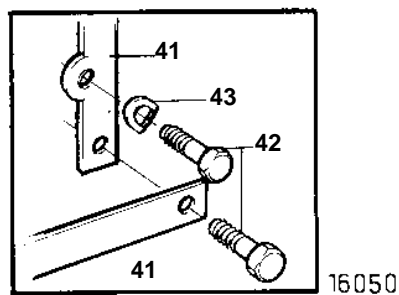
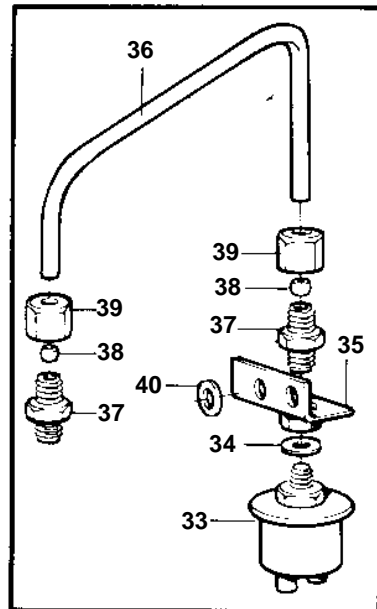
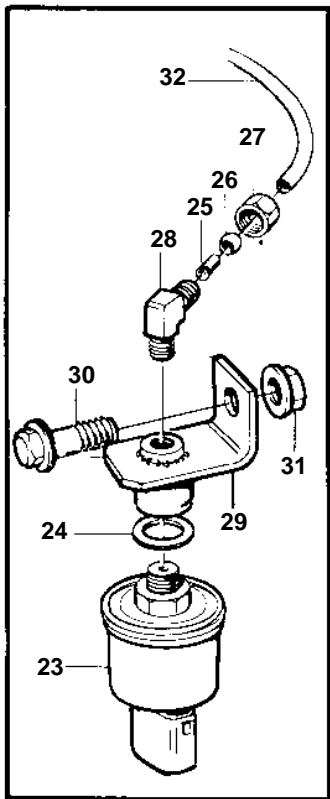
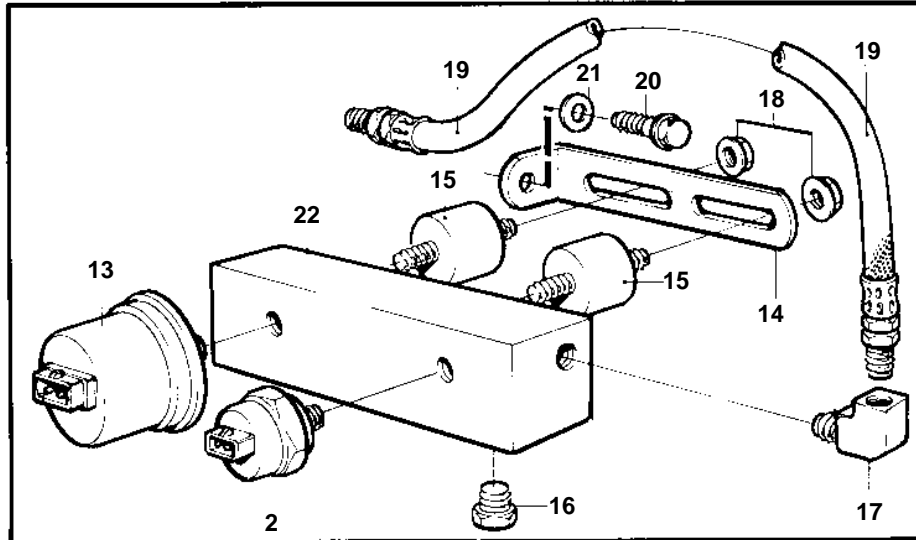
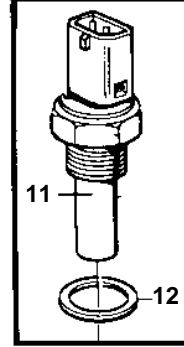
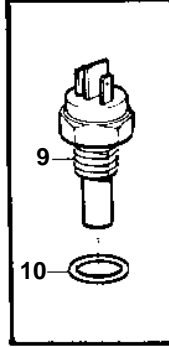
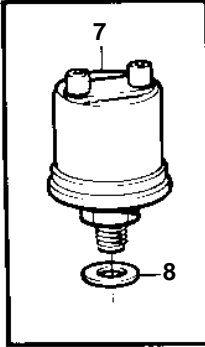
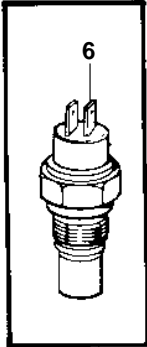
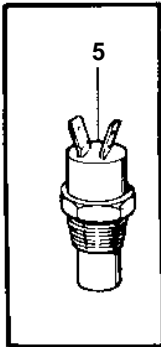
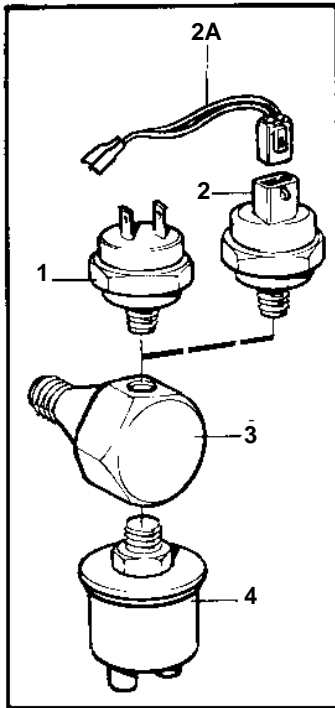


TMD121C, TAMD121C, TAMD121D, TAMD122C, TAMD122D



TMD121C, TAMD121C, TAMD121D, TAMD122C, TAMD122D

REF	PART NO.	QTY	DESCRIPTION	NOTES
2	863169	1	Pressure monitor, oil pressure-engine	SN1101051157/XXXXXX-
5	822858	1	Thermo monitor, coolant water temp.	
6	827150	1	Temperature sensor, coolant water temp.	
	837044	1	Temperature sensor, coolant water temp.	For double instruments.
7	866839	1	Pressure sensor, reverse gear	0-30 bar
8	947624	1	Gasket	
11	3013297	1	Tachometer sensor	
12	863604	1	Gasket	
13	866835	1	Pressure sensor, oil-engine	
	866836	1	Pressure sensor, oil-engine	0-10 bar. For double instruments.
14	965560	1	Bracket	
15	3574797	2	Rubber cushion	
16	479979	1	Plug	
17	180110	1	Elbow nipple	
18	949278	2	Lock nut	
19	1507501	1	Hose	
20	955558	1	Screw	
21	940280	1	Spring washer	
22	866704	1	Bracket	
23	866837	1	Pressure sensor, turbo	
24	947624	1	Gasket	
25	944717	2	Sleeve	
26	954364	2	Fitting	
27	954356	2	Cap nut	
28	954385	2	Elbow nipple	
29	843698	1	Bracket	
30	965175	1	Screw	
31	949278	1	Lock nut	
32	945460	1	Plastic pipe	710mm